



Mechanical paracentric Dead Bolt

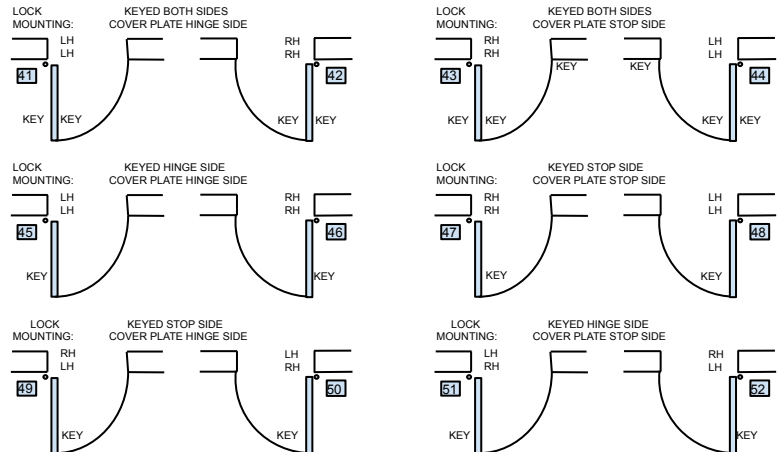
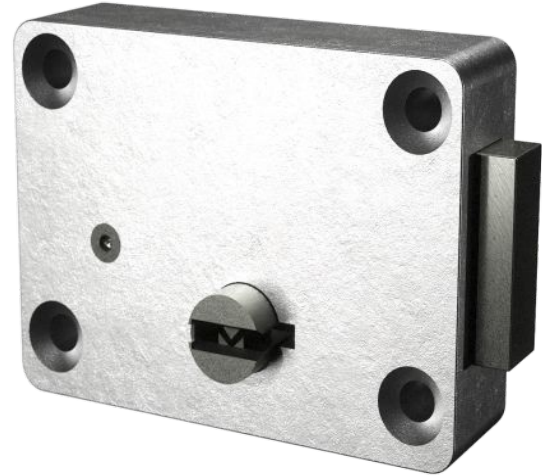
Standard Features:

- All stainless steel construction .
- Mechanical deadbolt.
- Paracentric stainless steel key and
- Six stainless steel levers.
- Fasteners for mounting.
- 80-1 Keyed one side
- 80-2 Keyed two side

Optional Features:

- Extended bolt Used on stop Side and mounting 1 ¼"
- Hollow metal mounting: Used for hollow metal door application. Specify HM
- Grating door mounting: Used for grating door application. Specify GM
- Plate door mounting: Used for steel plate door application. Specify PM
- Bolt keeper options: Must be specified separately.
 - SDB Strike W/Dust box.
 - SDBS Strike W/Dust box switch.

Note: All bolt keepers are supplied With security fasteners.



Technical data:

- Cover, Case, Lock bolt, Paracentric cylinder
- Levers, Springs: All stainless steel
- Lock size: 5 ½" L x 3 ⅞" H x 1 ½" W
- Lockbolt size: 2" H x ¾" TK
- Lockbolt throw: ¾"
- ASTM 1577 6.8 (50,000 cycles)
- Finish: Passivated